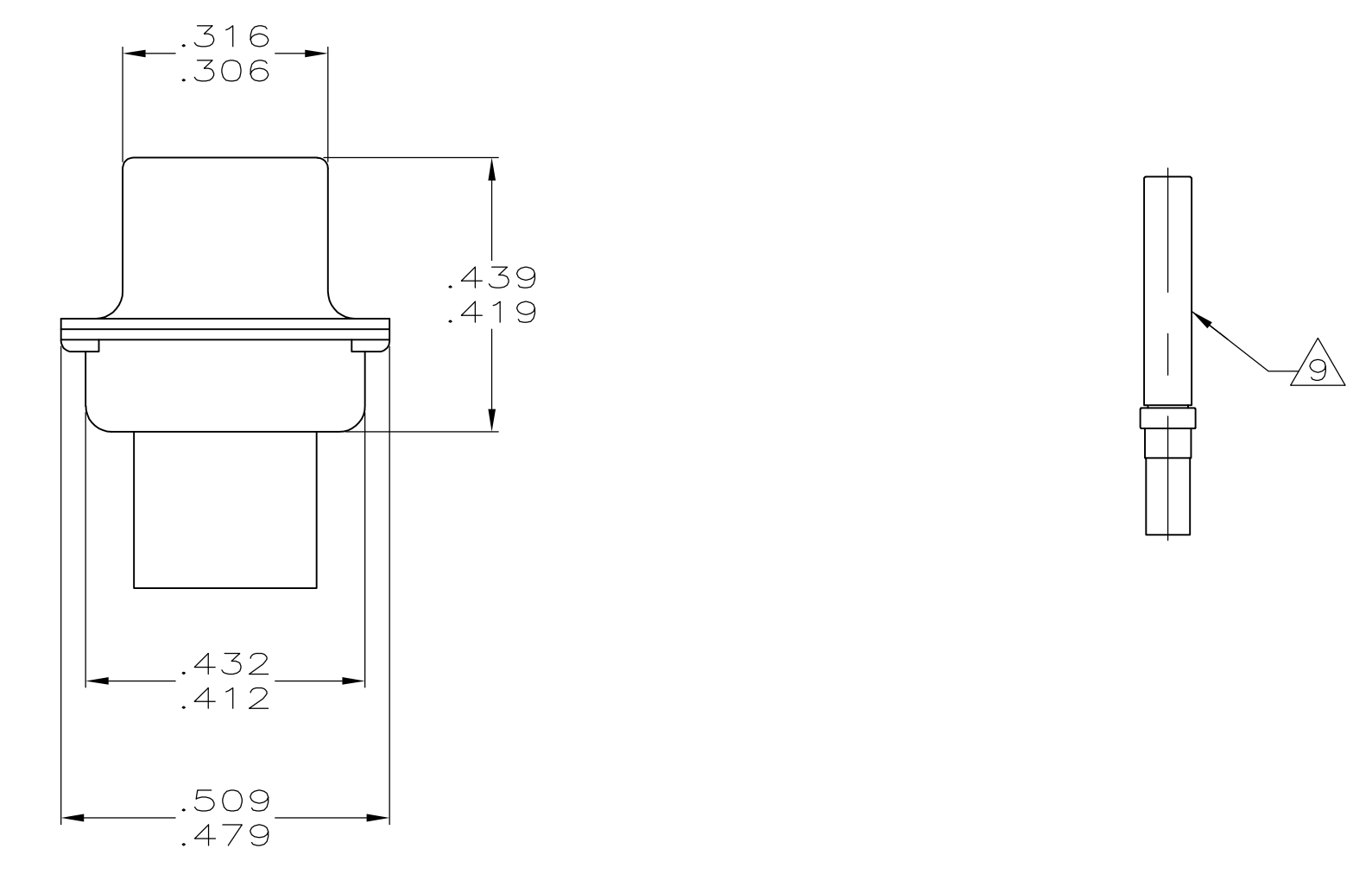
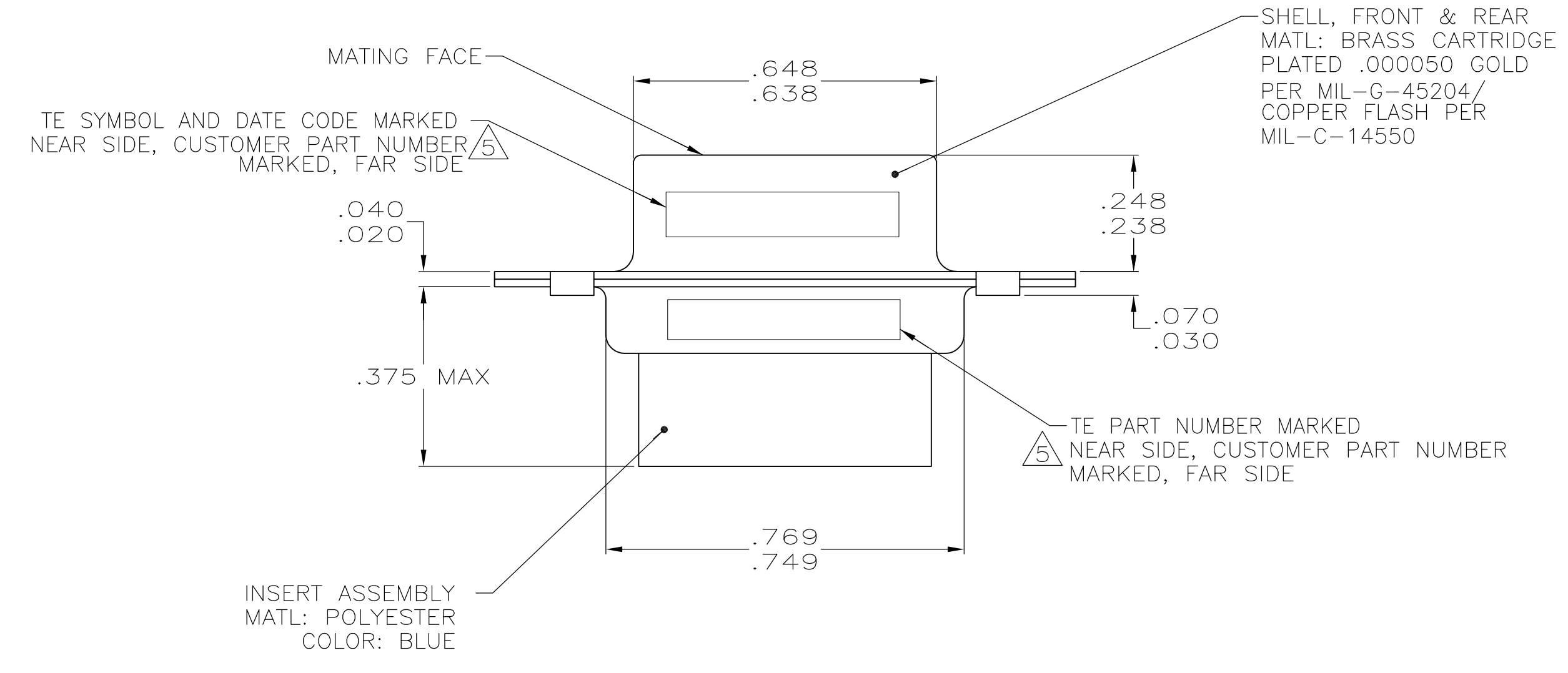
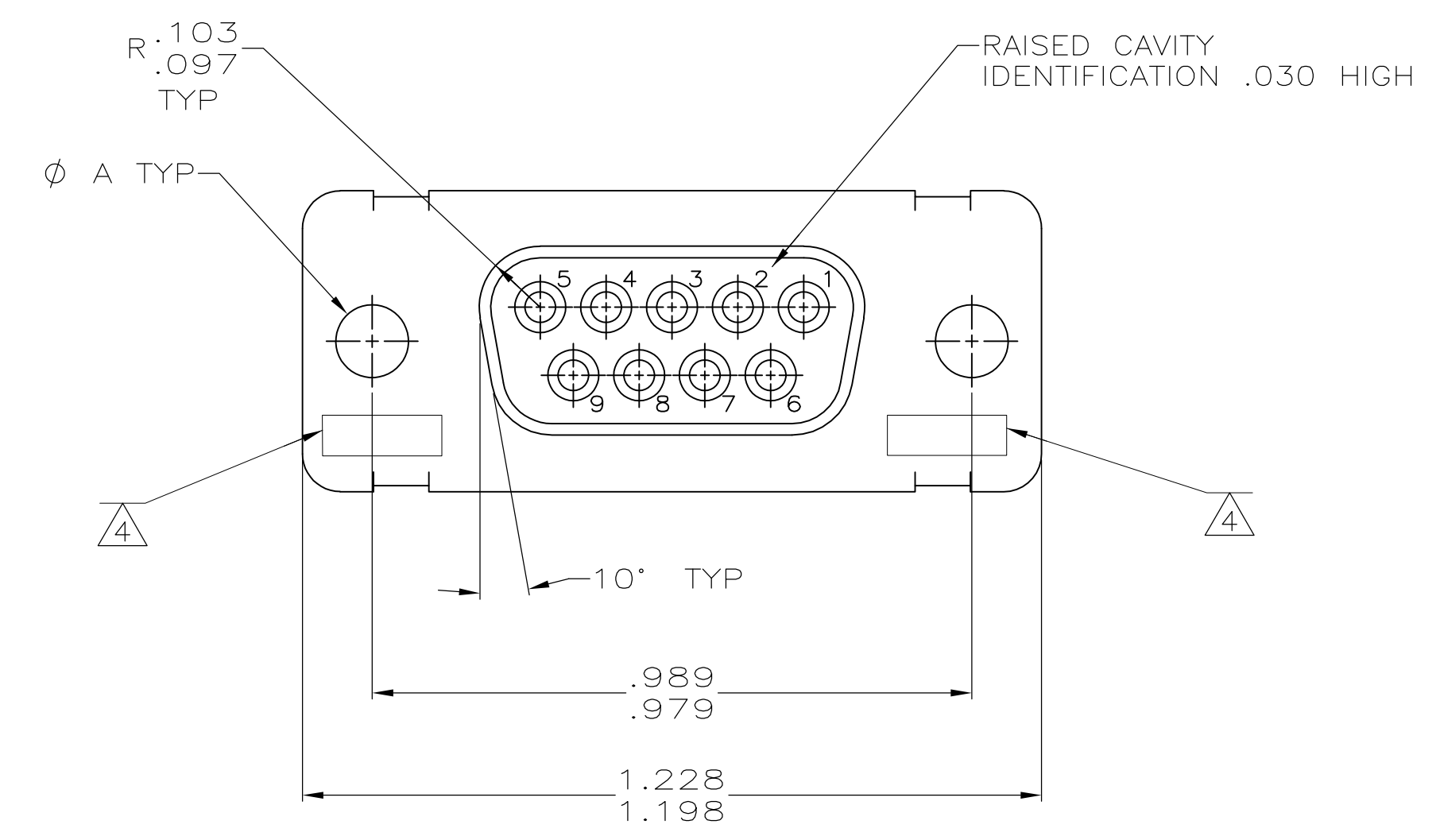


LOC	DIST	REVISIONS				
DF	DO	REV	DESCRIPTION	DATE	DWN	APPV
		N	REV PER ECO 07-019177	08OCT07	PY	BW
		P	AS PER ECO-08-016803	08-08-08	PK	RL



- △ THIS RECEPTACLE WILL MATE WITH ANY PLUG WITH THE SAME INSERT ARRANGEMENT AS DEFINED BY MS18273-1.
- 2. MAXIMUM WIRE INSULATION USED WITH THIS RECEPTACLE IS .072 DIA MAX.
- 3. Be Cu RETENTION CLIPS ARE INCLUDED IN INSERT.
- △ UL/CSA DESIGNATION STAMPED IN THIS AREA.
- △ CUSTOMER PART NUMBER MAY BE SPLIT BETWEEN FRONT AND REAR SHELLS, SAME SIDE. FAR SIDE REFERS TO WIDE SIDE OF KEYSTONE, NEAR SIDE REFERS TO NARROW SIDE OF KEYSTONE.
- △ THESE CONNECTORS ARE QUALIFIED TO GODDARD SPACE FLIGHT CENTER SPECIFICATION S-311-P-4.
- 7. CUSTOMER PART NUMBER MAY BE SPLIT BETWEEN FRONT AND REAR SHELLS.
- △ RESTRICTED TO CAE ELECTRONICS ONLY.
- △ CONNECTOR SUPPLIED WITH CONTACTS, TE PART NUMBER 206793-1; (NOT INSTALLED).

REMARKS	DIA A	INK STAMPED CUSTOMER P/N	INK STAMPED TE P/N	AMP P/N
SUPERSEDED BY 1996077-1	.120	8333648P2	207253-8	207253-8
	.120	570513-1	207253-7	207253-7
△ 9	.120	LMSC 1621480-001	207253-6	207253-6
△ 8 △ 6	.120	LMSC 1621480-001	207253-5	207253-5
	.120	311P409-1S-B-12	207253-2	207253-4
	-	-	207253-3	207253-3
△ 6	.120	311P409-1S-B-12	207253-2	207253-2
	.154	311P409-1S-B-15	207253-1	207253-1

THIS DRAWING IS A CONTROLLED DOCUMENT.

DW: T. THOMPSON 04-11-94
 CHK: D. MANTIONE 04-13-94
 APD: D. MANTIONE 4-13-94

Tyco Electronics Corporation
 Harrisburg, PA 17105-3608

NAME: AMPLIMITE RECEPTACLE ASSEMBLY SERIES 90, SIZE 1

PRODUCT SPEC: ---
 APPLICATION SPEC: ---
 WEIGHT: ---

SIZE: A1 CAGE CODE: 00779 DRAWING NO: 207253 RESTRICTED TO: P
 CUSTOMER DRAWING SCALE: 4:1 SHEET: 1 OF 1 REV: P